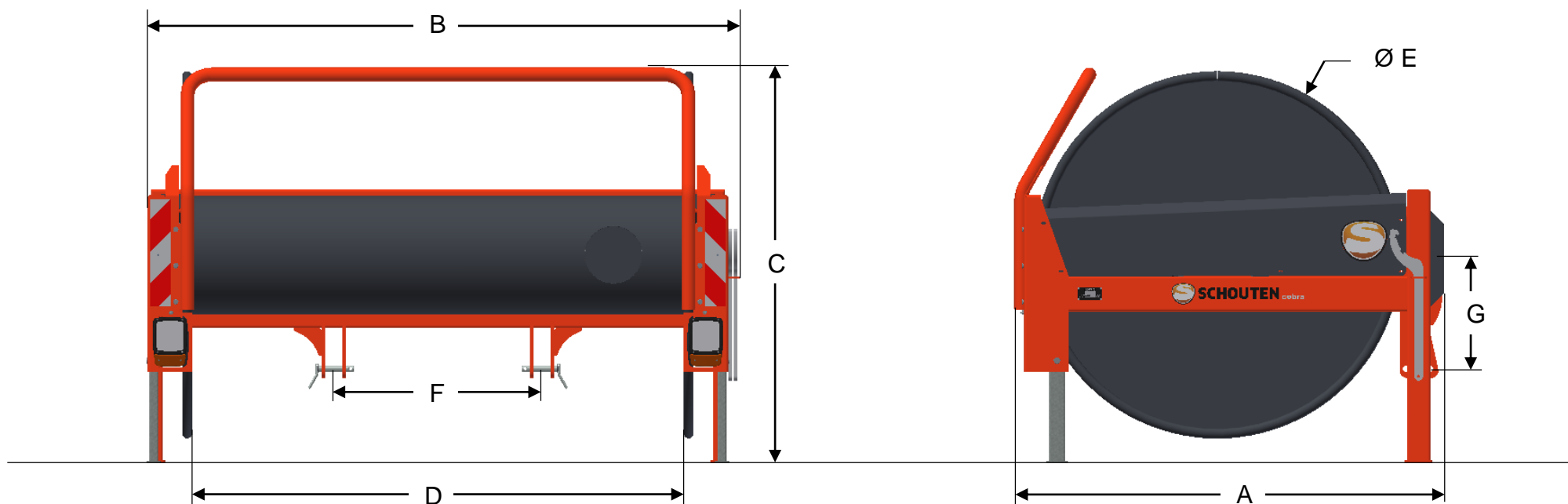


COBRA H260



DIMENSIONS

A	LENGTH	1840 MM	E	SPOOLDIAMETER	1570 MM
B	WIDTH	3000 MM	F	HITCH WIDTH	890 MM
C	HEIGHT	1690 MM	G	DISTANCE LIFT PIN – LINK PIN	520-590 MM
D	SPOOLWIDTH	2600 MM			

COBRA H260

MACHINE INFORMATION

TYPE	H260
WEIGHT	940 KG
HITCH TYPE	3-PUNTS CAT II
HOSE CAPACITY	1500 MTR. 5"

DRIVE SPOOLS	HYDRAULIC/CHAINS
HYDRAULIC MOTORS	2X OMS200
DRIVE PROTECTION	HYDR. OVERPRESSURE

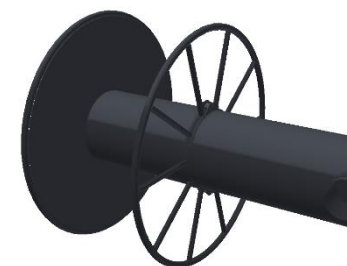
OPTIONS



FRONTLIGHTING



BACKLIGHTING



ADJUSTABLE PARTITION